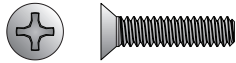


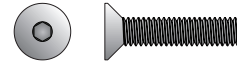
Philips Head Flat Screw (#1 Philips screwdriver)

Referred to as (item 3), this is a longer replacement screw for fitting the rack mount ear or handle to the chassis.



M2.5 flat screw (1.5mm hex wrench *included)

Referred to as (item 5), this screw attaches the rack mount ear or handle to the rack mount.

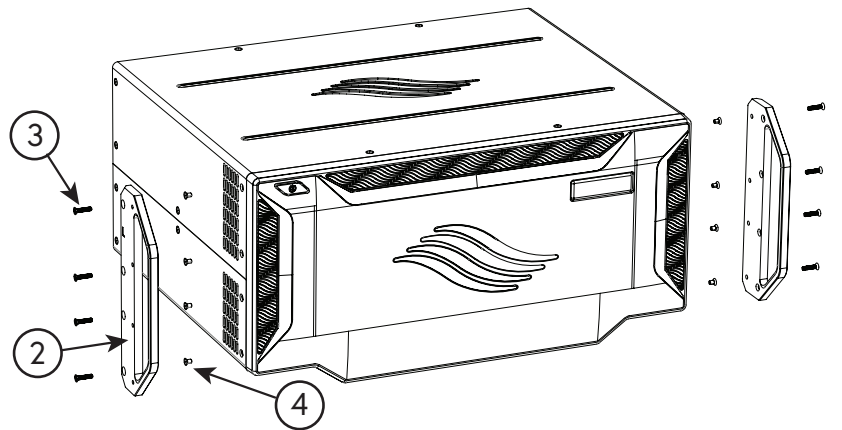


For Handles Only

Step 1- Remove cover screws on both sides of the chassis (item 4). There are 4 per side.

Step 2- Attach the handles (item 2) to the chassis with the 4 supplied screws (item 3), replacing the screws that were removed in step 1.

Step 3- Repeat steps 2 and 3 for the other handle.



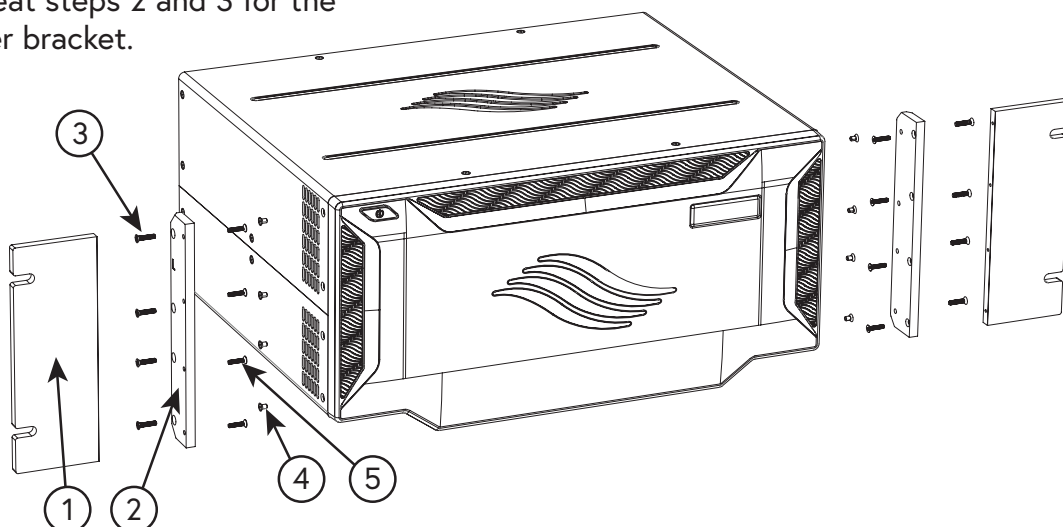
For Rack Mount Only

Step 1- Remove cover screws on both sides of the chassis (item 4). There are 4 per side.

Step 2- Attach rack mount ear (item 1) to chassis bracket (item 2) with the 4 supplied M2.5 screws (item 5).

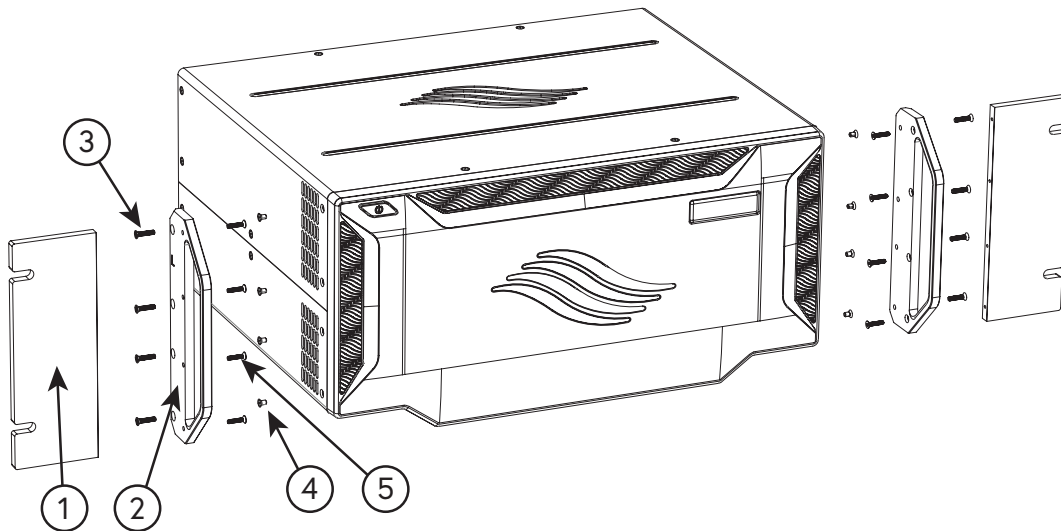
Step 3- Attach chassis bracket (item 2) to the chassis with the 4 supplied screws (item 3), replacing the screws that were removed in step 1.

Step 4- Repeat steps 2 and 3 for the other bracket.



For Rack Mount With Handles

- Step 1- Remove cover screws on both sides of the chassis (item 4). There are 4 per side.
- Step 2- Attach rack mount ear (item 1) to chassis bracket handle (item 2) with the 4 supplied M2.5 screws (item 5).
- Step 3- Attach chassis bracket handle (item 2) to the chassis with the 4 supplied screws (item 3), replacing the screws that were removed in step 1.
- Step 4- Repeat steps 2 and 3 for the other bracket.



For any additional information on safety and operation please refer to the User Manual on the included CD
For technical support go to helpdesk.flexradio.com